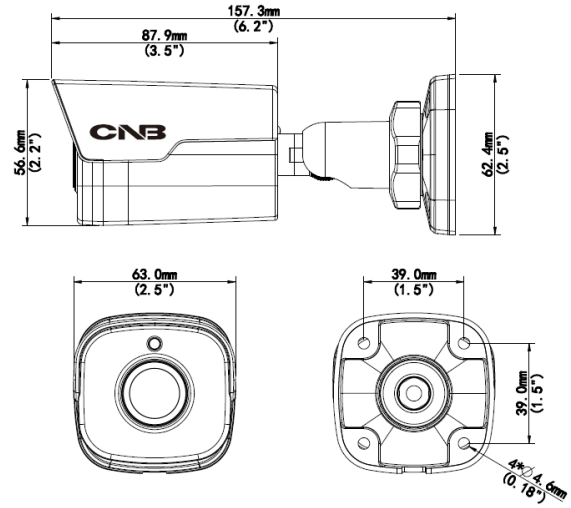


# TBM21R-36/60/12

## 2MP Network IR Mini Bullet Camera



### Key Features

#### Optics

- Day/night functionality
- Smart IR, up to 30m (98ft) IR distance
- Optical glass window with higher light transmittance
- IR anti-reflection window to increase the infrared transmittance
- 3D DNR (Digital Noise Reduction)

#### Compression

- H.264, MJPEG
- Triple streams
- 9:16 corridor mode

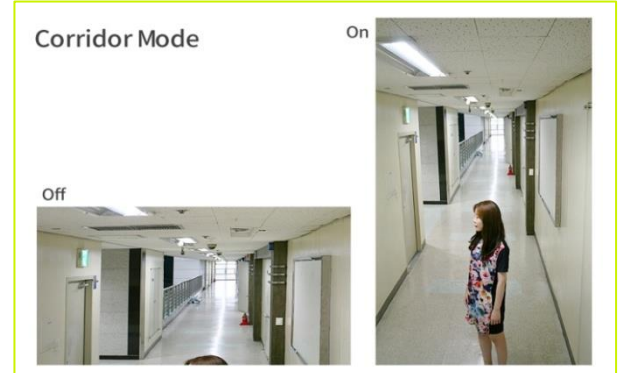
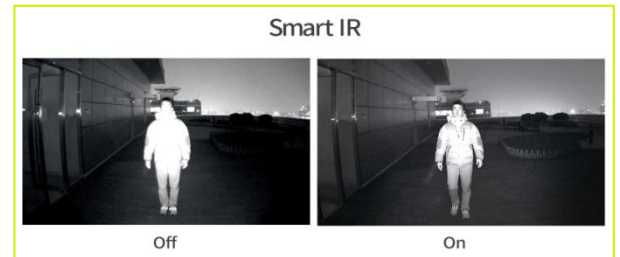
#### Network

- ONVIF Conformance

#### Structure

- Wide temperature range: -35°C to 60°C (-31°F to 140°F)
- Wide voltage range of  $\pm 25\%$
- IP67

### Image



## Specifications

	TBM21R-36	TBM21R-60	TBM21R-12
<b>Camera</b>			
Sensor	1/2.8", 2.0 megapixel, progressive scan, CMOS		
Lens	3.6mm@F1.8 Angle of view(H): 79.7°	6.0mm@F1.8 Angle of view(H): 51.6°	12.0mm@F1.8 Angle of view(H): 26.3°
Shutter	Auto/Manual, 1/6~1/100000 s		
Min. Illumination	Colour: 0.02 Lux (F1.8, AGC ON) 0 Lux with IR on		
Day/Night	IR-cut filter with auto switch (ICR)		
IR Range	Up to 30m (98ft) IR range		
S/N	>52 dB		
WDR	Digital		
Noise Reduction	2D/3D		
<b>Video</b>			
Max. Resolution	1920 × 1080		
Video Compression	H.264, MJPEG		
Frame Rate	1080P (1920*1080): Max. 30 fps; 720P (1280*720): Max. 1 fps; CIF (352*288): Max. 1 fps		
Video Streaming	Triple		
9:16 Corridor Mode	Supported		
ROI	Supported		
Evaluative Metering	Supported		
OSD	Up to 8 OSDs		
Motion Detection	Up to 2 areas		
Privacy Mask	Up to 4 areas		
<b>Network</b>			
Protocols	L2TP, IPv6, IPv4, IGMP, ICMP, ARP, TCP, UDP, DHCP, PPPoE, RTP, RTSP, DNS, DDNS, NTP, FTP UPnP, HTTP, HTTPS, SMTP, SNMP, SIP, QoS		
Compatible Integration	ONVIF, API		
<b>Interface</b>			
Network	1 RJ45 10M/100M Base-TX Ethernet		
<b>General</b>			
Power	12V DC, or PoE (IEEE802.3 af)		
	Power consumption: Max 6.4 W		
Dimensions (L × W × H)	157.3 × 62.4 × 63 mm (6.2" × 2.5" × 2.5")		
Weight	0.45 kg (0.99lb)		
Working Environment	-35°C ~ +60°C (-31°F ~ 140°F), Humidity ≤ 95% RH(non-condensing)		
Ingress Protection	IP67		